

CREEK VIEW



Model LP96 & LP72 Parts Manual



INDEX

Operation, Warnings and Maintenance 3

Shield Assembly4-5

Rotor Shaft Assembly 6

PTO Shaft Assembly 7

Auger Assembly8-9

Chain Drive Assembly10-11

PULVERIZER

The Creekview LP Series pulverizers are designed to help eliminate the cakes or crust in poultry barns. They are also a great tool to save litter by breaking up the cakes to help dry out litter without the need to take the cakes out of the poultry barn, therefore saving time and money. They are also a great tool to level litter for your next flock.



1 YEAR DRIVE TRAIN WARRANTY

SERIAL #

DEALER



Call for Parts
or Service
919-496-0608

SETTING UP THE PULVERIZER

Attach 3 point arms to pins then attach drive line to tractor PTO. Set on level spot and adjust top link to where machine is slightly tilted up in front.

MAINTENANCE

Each machine is inspected and fluids topped off before shipment. Grease all 5 zerks after each use or after wash-down. Or grease every 10 hours of use. 2 pumps only!

1 zerk at each end of pulverizer rotor

1 zerk at input shaft on chain box

1 zerk on each end of PTO shaft

Check fluid level once before every use.

Chain box hydraulic oil

Gearbox 80 weight oil

OPERATION

When pulverizing, drop pulverizer to desired depth. Always lift pulverizer at end of house. Do not turn with pulverizer down in litter. Always throttle tractor down before raising machine. For best performance drive 1-2 mph.

WARNINGS & SAFETY

Always make sure nobody is within 25' of tractor or pulverizer before engaging PTO and during operation of machine.

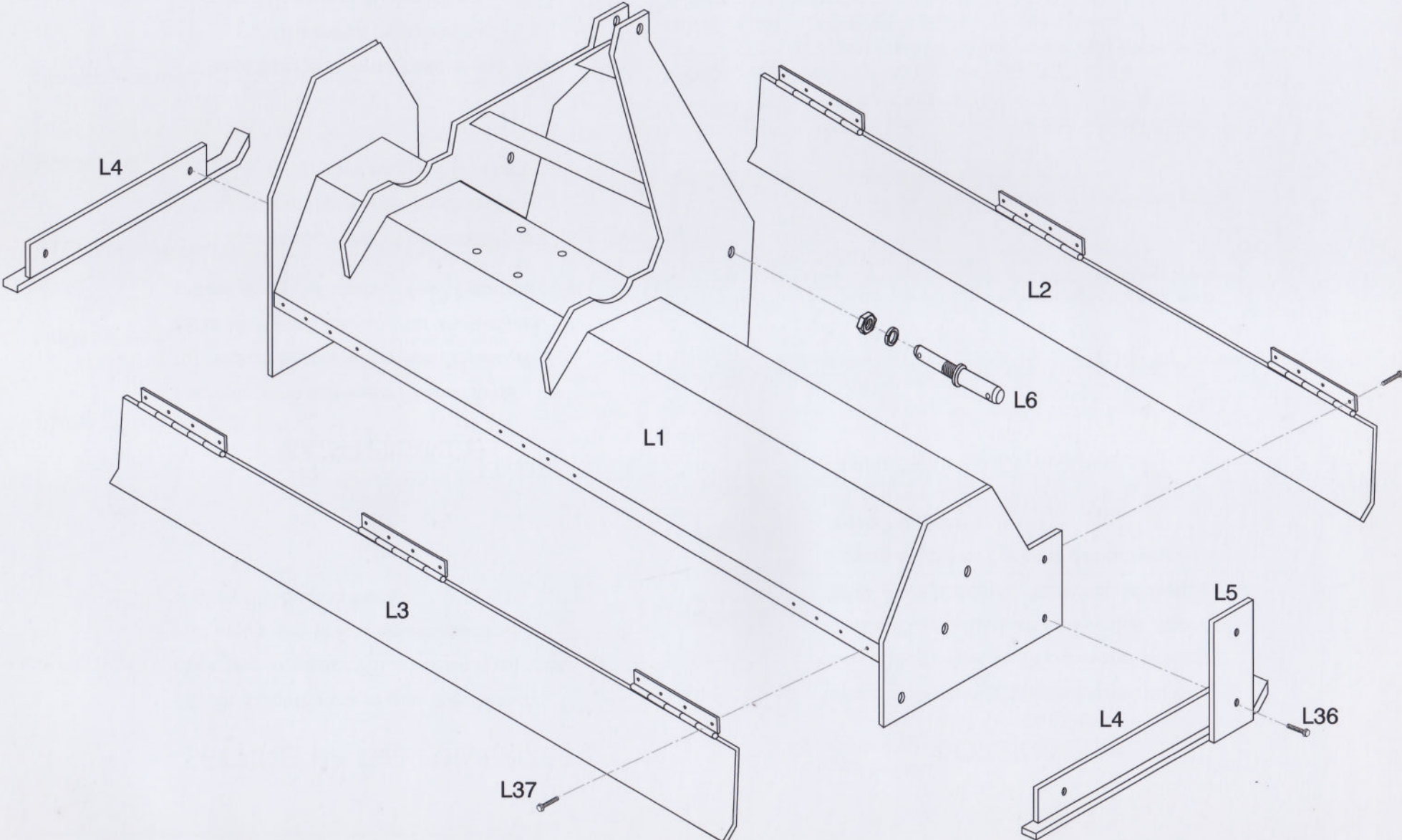
Always have pulverizer sitting on ground and tractor shut off before servicing or washing.

Always have all safety shields on machine closed before engaging PTO.

Always secure PTO safety chain before operating machine.

The Litter Pulverizer

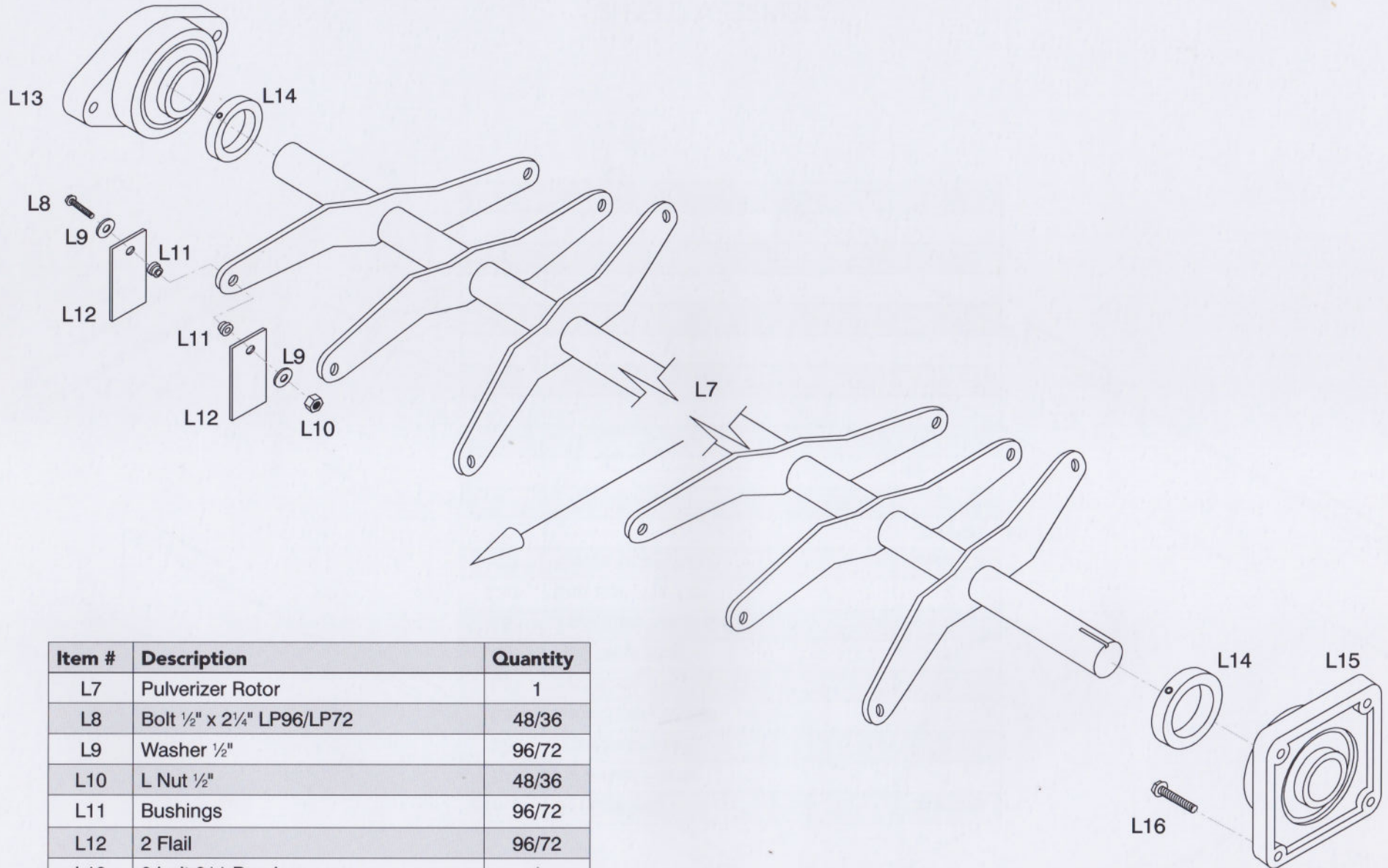
SHIELD ASSEMBLY



Item #	Description	Quantity
L1	Pulverizer Frame	1
L2	Front Safety Lid	1
L3	Back Safety Shield	1
L4	Skid Shoe	2
L5	Wall Wear Strip	1
L6	3 point pin cat. 1 & 2	2
L36	Cap Bolt 1/2" x 1 1/2"	2
L37	Flange Bolt 1/4" x 3/4"	24 LP72
		32 LP96

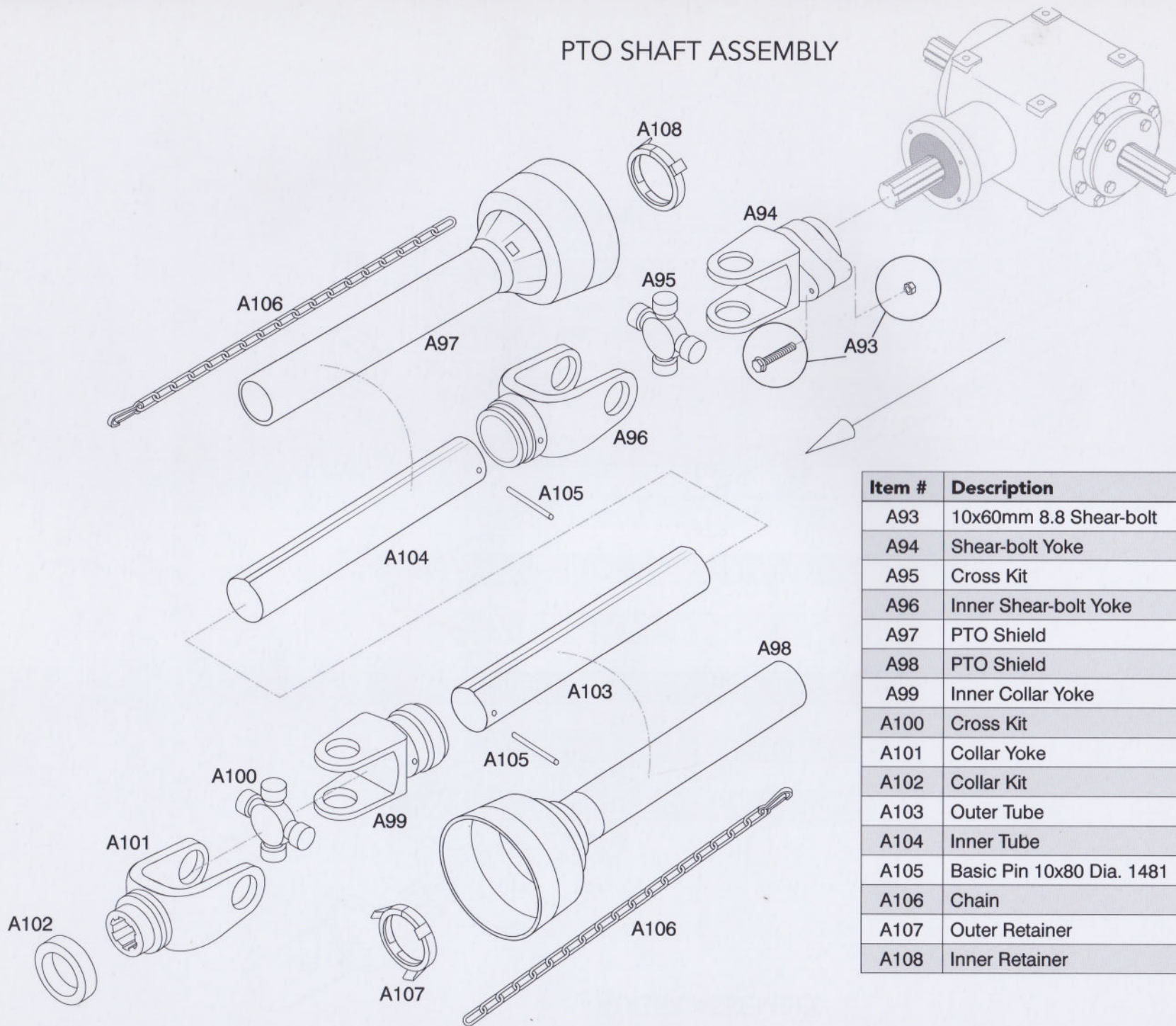
The Litter Pulverizer

ROTOR SHAFT ASSEMBLY



Item #	Description	Quantity
L7	Pulverizer Rotor	1
L8	Bolt 1/2" x 2 1/4" LP96/LP72	48/36
L9	Washer 1/2"	96/72
L10	L Nut 1/2"	48/36
L11	Bushings	96/72
L12	2 Flail	96/72
L13	2 bolt 211 Bearing	1
L14	Eccentric Lock Collar	2
L15	4 Bolt 211 Bearing	2
L16	Bolt 5/8"x2"	10

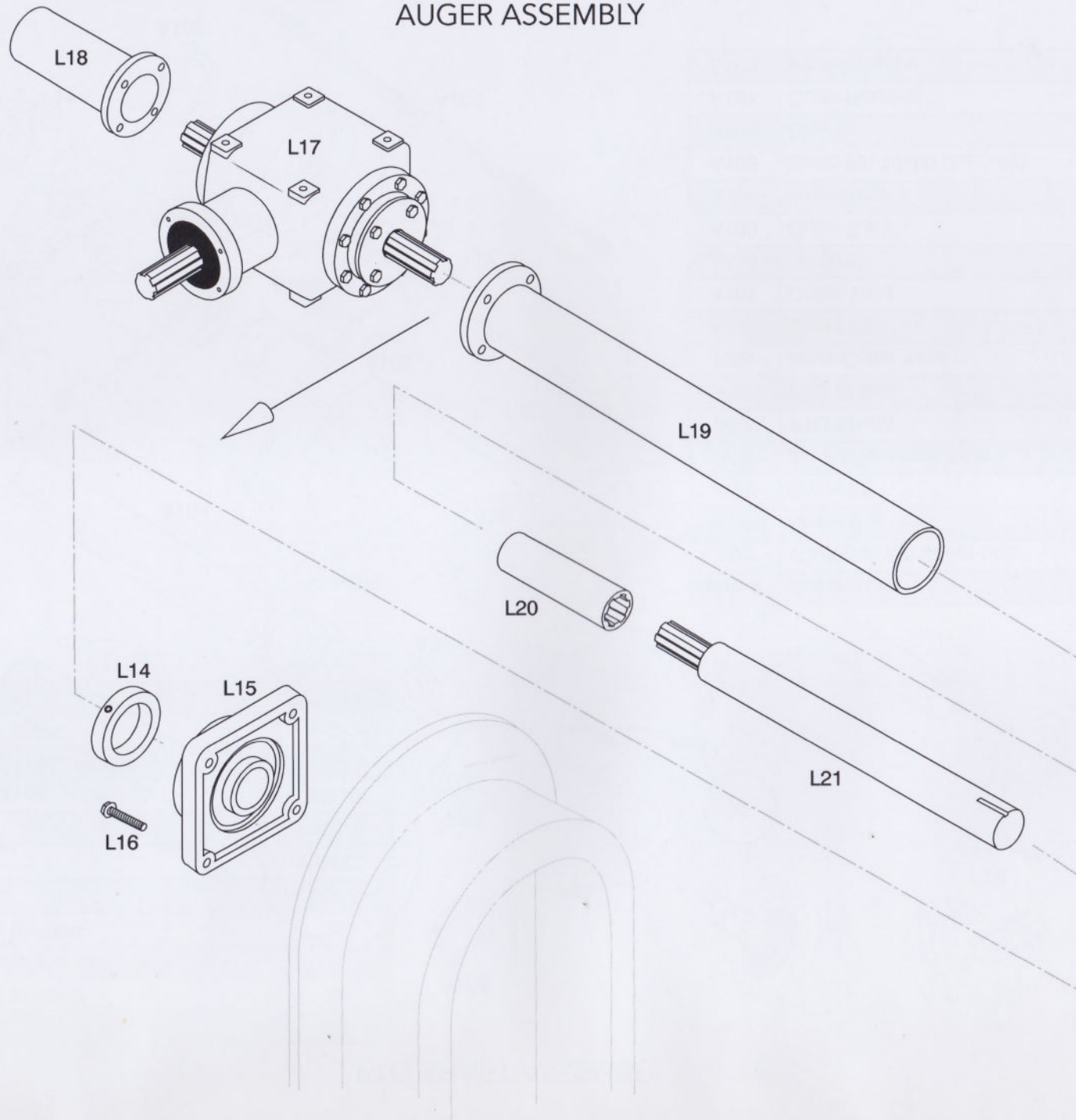
PTO SHAFT ASSEMBLY



Item #	Description	Quantity
A93	10x60mm 8.8 Shear-bolt	1
A94	Shear-bolt Yoke	1
A95	Cross Kit	1
A96	Inner Shear-bolt Yoke	1
A97	PTO Shield	1
A98	PTO Shield	1
A99	Inner Collar Yoke	1
A100	Cross Kit	2
A101	Collar Yoke	1
A102	Collar Kit	1
A103	Outer Tube	1
A104	Inner Tube	1
A105	Basic Pin 10x80 Dia. 1481	2
A106	Chain	1
A107	Outer Retainer	1
A108	Inner Retainer	1

The Litter Pulverizer

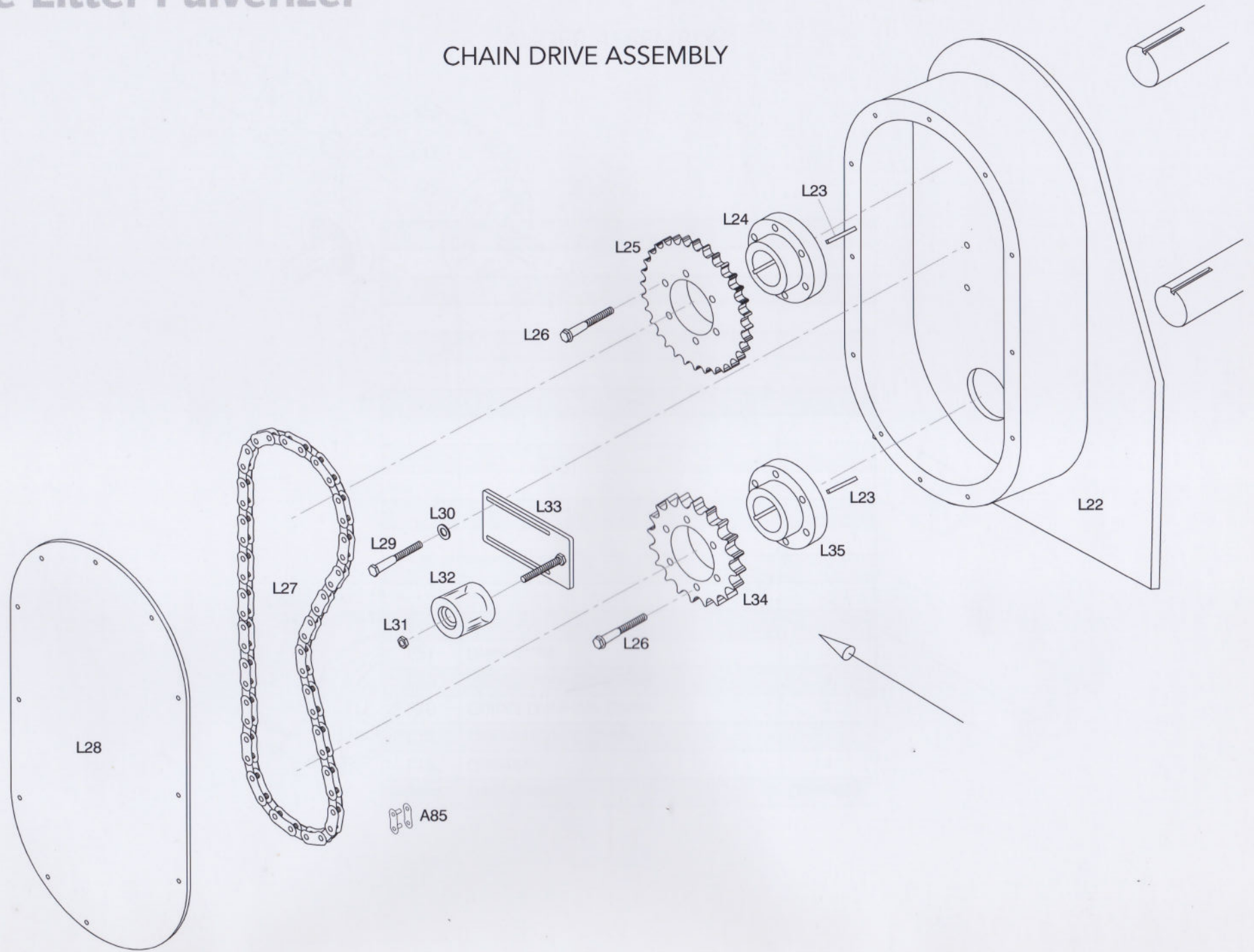
AUGER ASSEMBLY



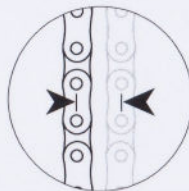
Item #	Description	Quantity
L17	Gearbox	1
L18	Gearbox Shaft Cover	1
L19	Output Drive-line Cover	1
L20	540 6 Spline Connector	1
L21	Drive Shaft	1

The Litter Pulverizer

CHAIN DRIVE ASSEMBLY

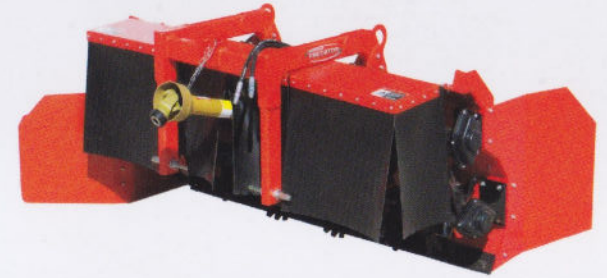


Item #	Description	Quantity
L22	Chain Box	1
L23	1/2" x 2" Key	2
L24	SK Taper Hub	1
L25	18 Tooth Sk #80 QD Sprocket	1
L26	5/16" x 1 1/2" Grade 8 Bolt (Tighten to 15 ft. lbs.)	6
L27	43" #80 Chain	1
A85	#80 Connector	1
L28	Chain Box Lid	1
L29	Bolt 1/2" x 1 3/4"	2
L30	Washer 1/2"	2
L31	5/8" Jam Lock Nut	1
L32	Tightener Roller	1
L33	Chain Tightener Bracket	1
L34	15 Teeth SK# 80 QD Sprocket	1
L35	SK Taper Hub	1



Tighten chain to 1" side-to-side movement

**Quality built equipment
for quality litter management.**




Harris-Crisp
Specialty Equipment

Contact Us
Call for Parts
or Service
919-496-0608

