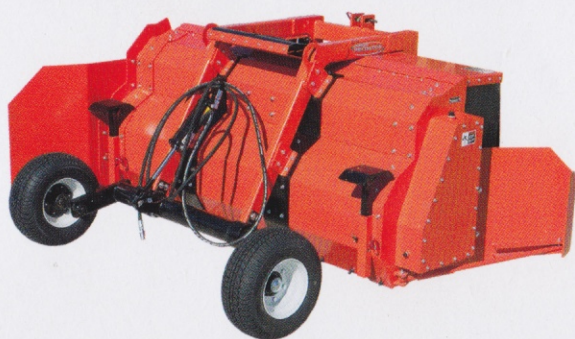
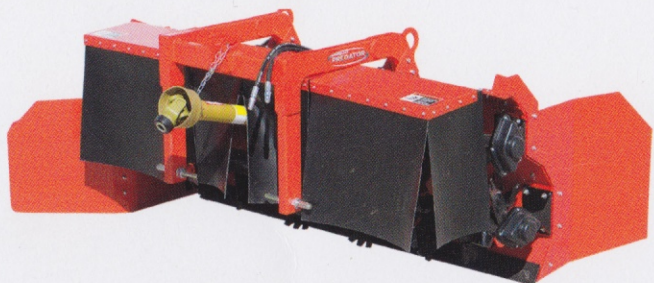


CREEK VIEW



# Model 78 & 102 Parts Manual



INDEX

Operation, Warnings and Maintenance ..... 3

Hitch Assembly..... 4

Frame Assembly..... 5

Transport Assembly..... 6

Hydraulic Assembly..... 7

Shield Assembly .....8-9

Lid Assembly..... 10

PTO Shaft Assembly ..... 11

Auger Assembly ..... 12-13

Chain Drive Assembly..... 14-15

# PREDATOR SERIES WINDROWERS

The Predator windrowers are built to reduce pathogens in litter by taking poultry litter and pulling it in a pyramid shaped windrow approximately 24" to 36" tall. Predator machines are designed to break apart caked litter which in turn helps the heating process in windrows. The Predator is designed to windrow / turn windrows / and level out windrows. The other advantage of



throwing litter on windrows is to help your floors dry out which in turn helps reduce ammonia.

## 1 YEAR DRIVE TRAIN WARRANTY

SERIAL #

DEALER



Call for Parts  
or Service  
919-496-0608

## SETTING UP THE PREDATOR

Set machine on a level spot. Level the top of machine by adjusting the tractor top link bar position on the hitch assembly.

Always lower the machine to ground to engage PTO. When raising machine, disengage the PTO.

Run machine at a PTO speed of 2500 RPM.

Never crawl or stand underneath a raised machine.

Use the wheels to get desired depth of litter when initially building windrows and to turn the windrows when more than one pass is required.

Use the skid shoes to set the final desired litter depth.

## MAINTENANCE

Each machine is inspected and all fluids are checked and topped off before shipment.

Grease all 4 zerks every 10 hours of use or after every wash down - two pumps only.

2 - zerks on PTO shaft

2 - zerks on output end of the windrower

Check fluid levels once every use

Make sure machine is sitting level. The center level plug oil on the left side of the gearbox should be level with the bottom of hole. To add use 80 weight oil.

## OPERATION

This process can vary depending on width of the chicken house and litter depth.

**PASS 1:** Make a complete pass along side walls of the chicken house throwing litter towards center.

**PASS 2:** Straddle the first windrow and throw in towards center again.

**PASS 3:** Start in the center and throw litter out towards windrows on either side making two passes going in opposite directions. (If three windrows are desired, cut wall plate along edge of existing windrows. Throw litter in towards center again, creating windrow #3)

*For optimal performance incorporate all litter in the windrows so that the floor is exposed.*

**LEVELING OUT WINDROWS:** Straddling windrows and using wheels to set height, divide windrow into approximately thirds. Throw a third of the litter towards the wall. Turn around and return, straddling windrow again. Throw litter towards the center of the house. Continue using this pattern until litter covers the floor wall to wall. Set skid shoes to desired final depth. Start in the center of the house and work litter towards wall. Machine PTO needs to be engaged while doing the leveling process.

## WARNINGS & SAFETY

Always make sure nobody is within 25' of tractor or windrower before engaging PTO and during operation of machine.

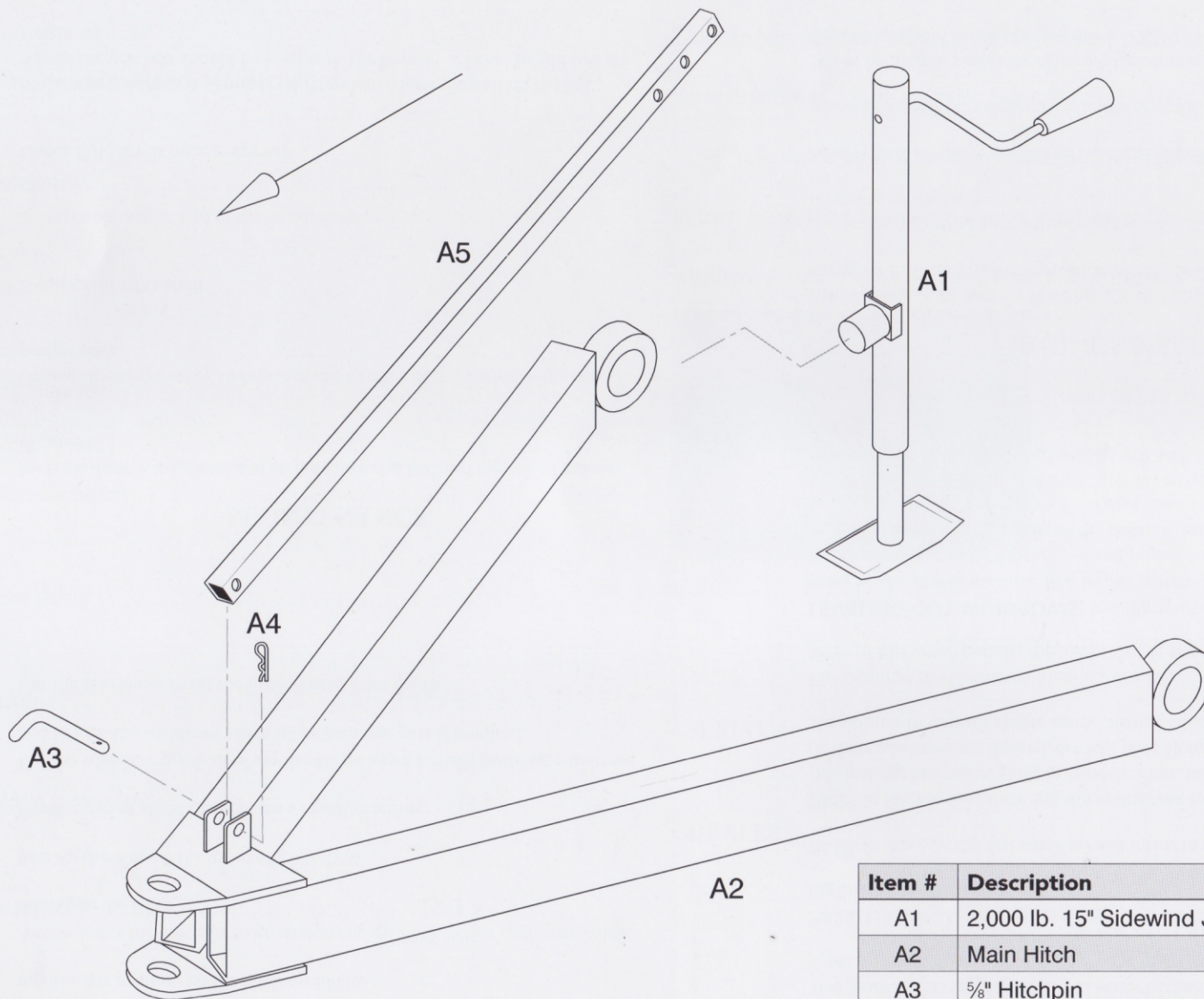
Always have cutting edge sitting on ground and tractor shut off before servicing or washing.

Always have all safety shields on machine closed before engaging PTO.

Always secure PTO safety chain before operating machine.

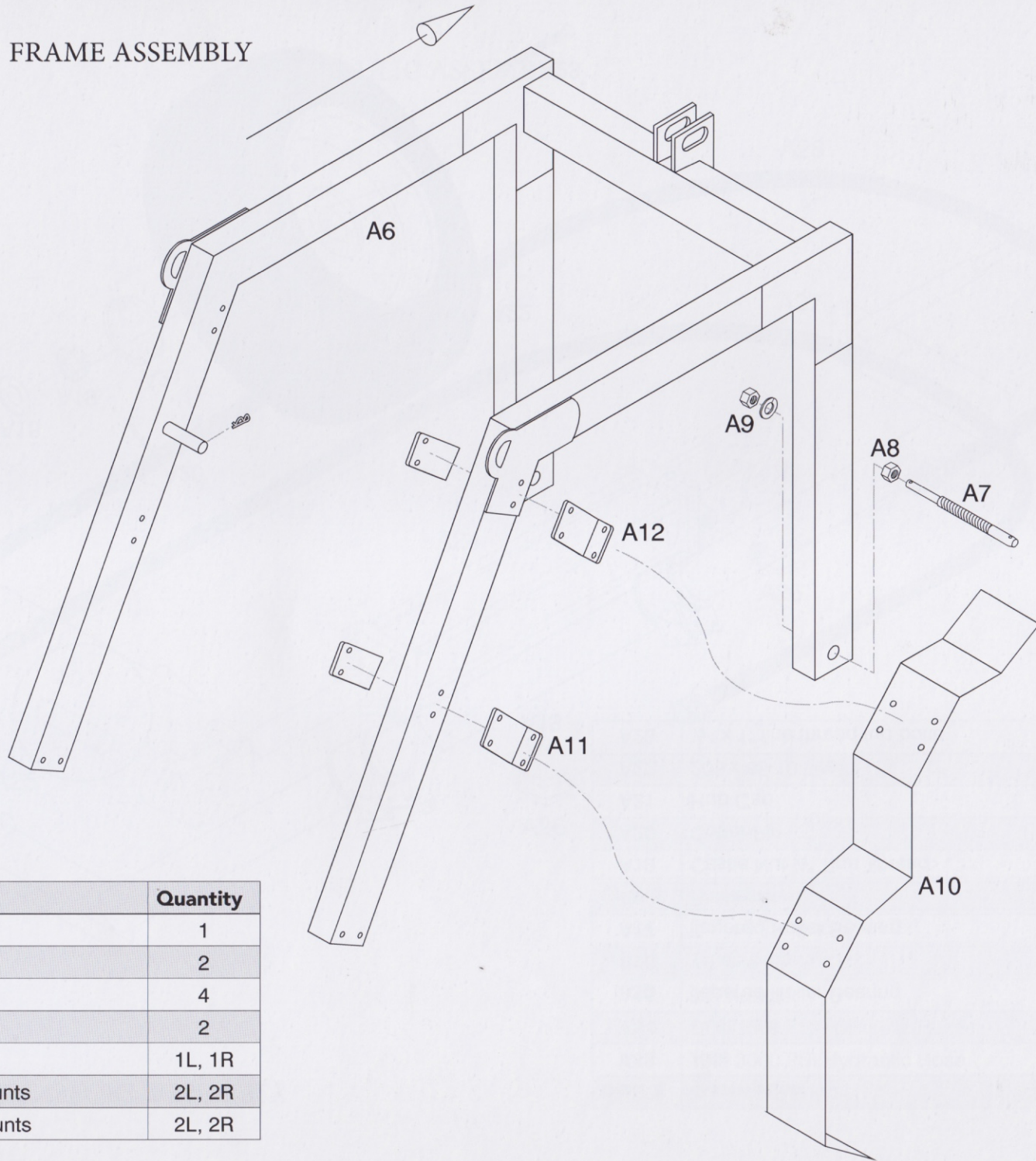
When turning or replacing cutting edge on machine, adjust skid shoes to desired level and insert pins in holes.

# HITCH AND JACK ASSEMBLY



Item #	Description	Quantity
A1	2,000 lb. 15" Sidewind Jack	1
A2	Main Hitch	1
A3	5/8" Hitchpin	1
A4	Clip Pin	1
A5	Top Link Bar	1

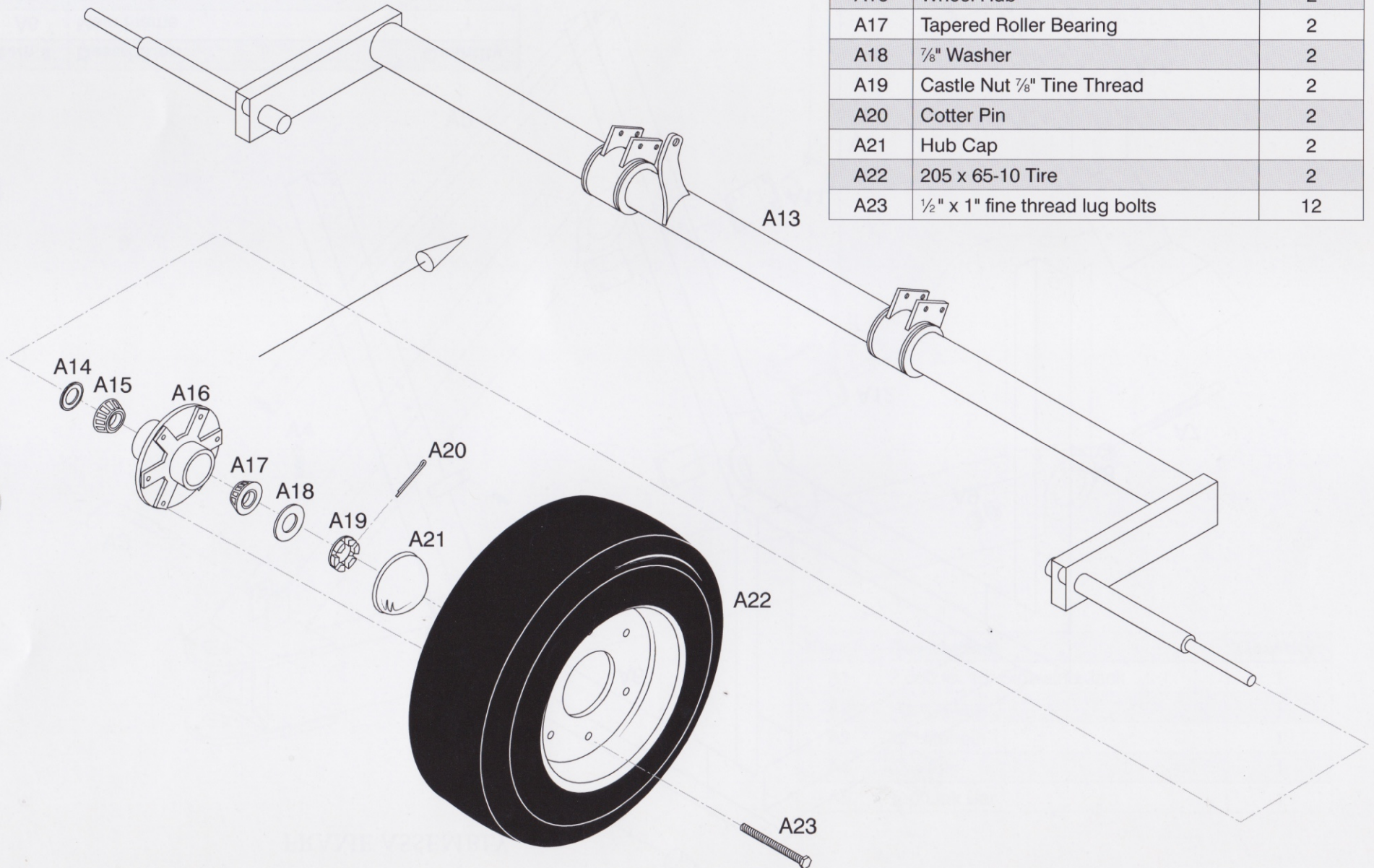
FRAME ASSEMBLY



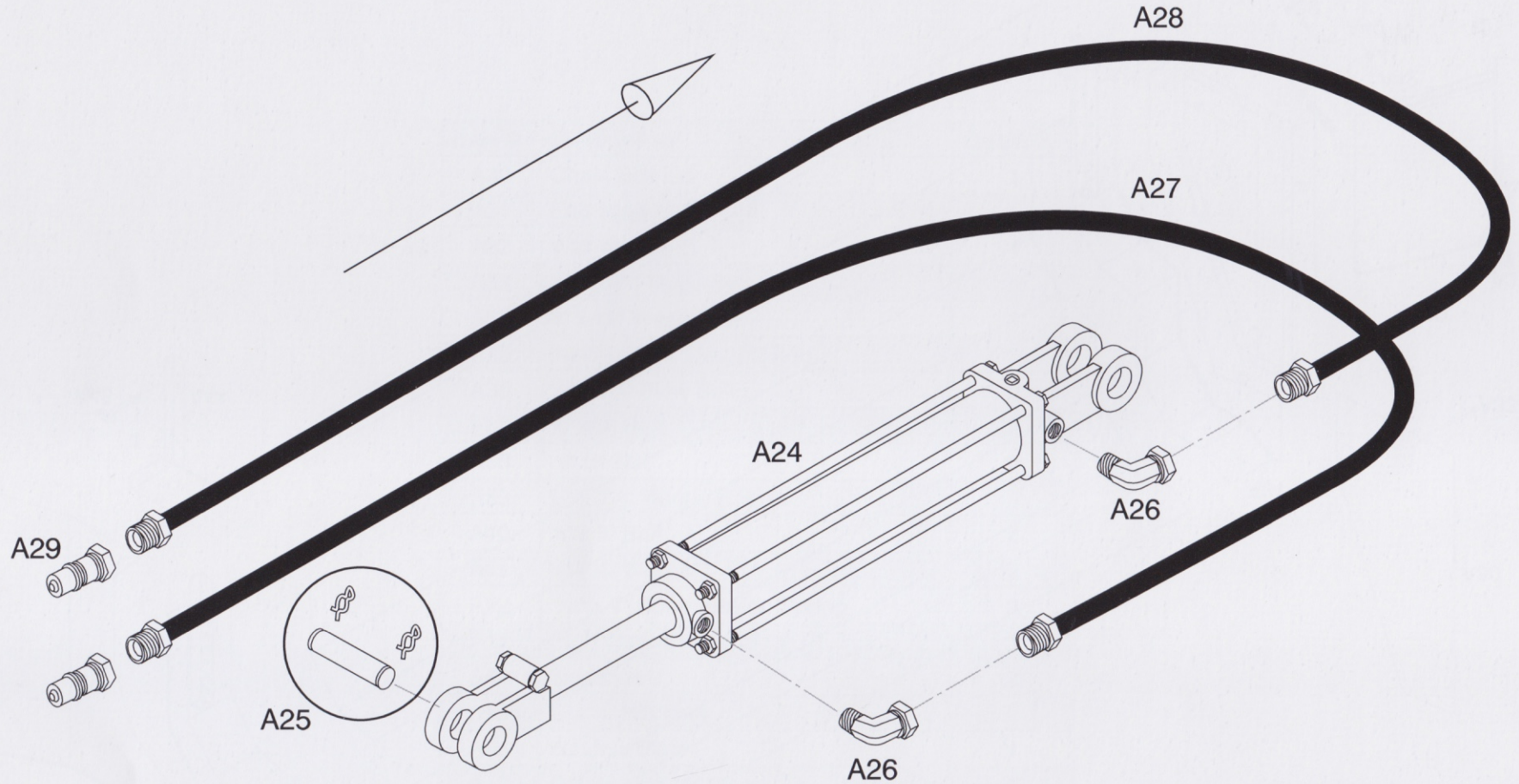
Item #	Description	Quantity
A6	Main Frame	1
A7	Cat 1 & 2 Pins	2
A8	1½" Fine Thread Nut	4
A9	1½" 1K Washer	2
A10	Overlay	1L, 1R
A11	Lower Main Frame Mounts	2L, 2R
A12	Upper Main Frame Mounts	2L, 2R

# TRANSPORT ASSEMBLY

Item #	Description	Quantity
A13	Axle	1
A14	Dust Seal	2
A15	Tapered Roller Bearing	2
A16	Wheel Hub	2
A17	Tapered Roller Bearing	2
A18	7/8" Washer	2
A19	Castle Nut 7/8" Tine Thread	2
A20	Cotter Pin	2
A21	Hub Cap	2
A22	205 x 65-10 Tire	2
A23	1/2" x 1" fine thread lug bolts	12



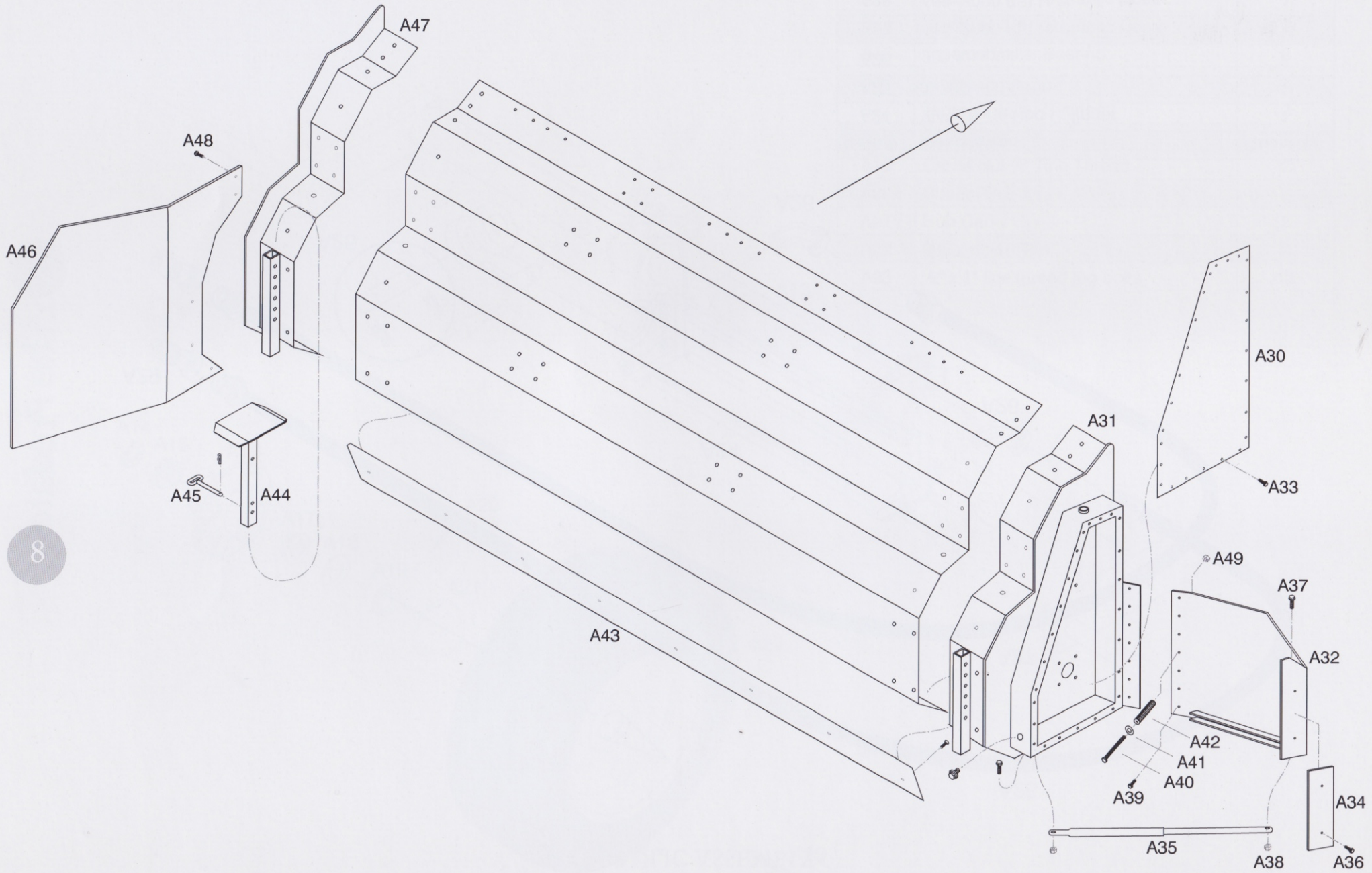
# HYDRAULIC ASSEMBLY



7 The Predator

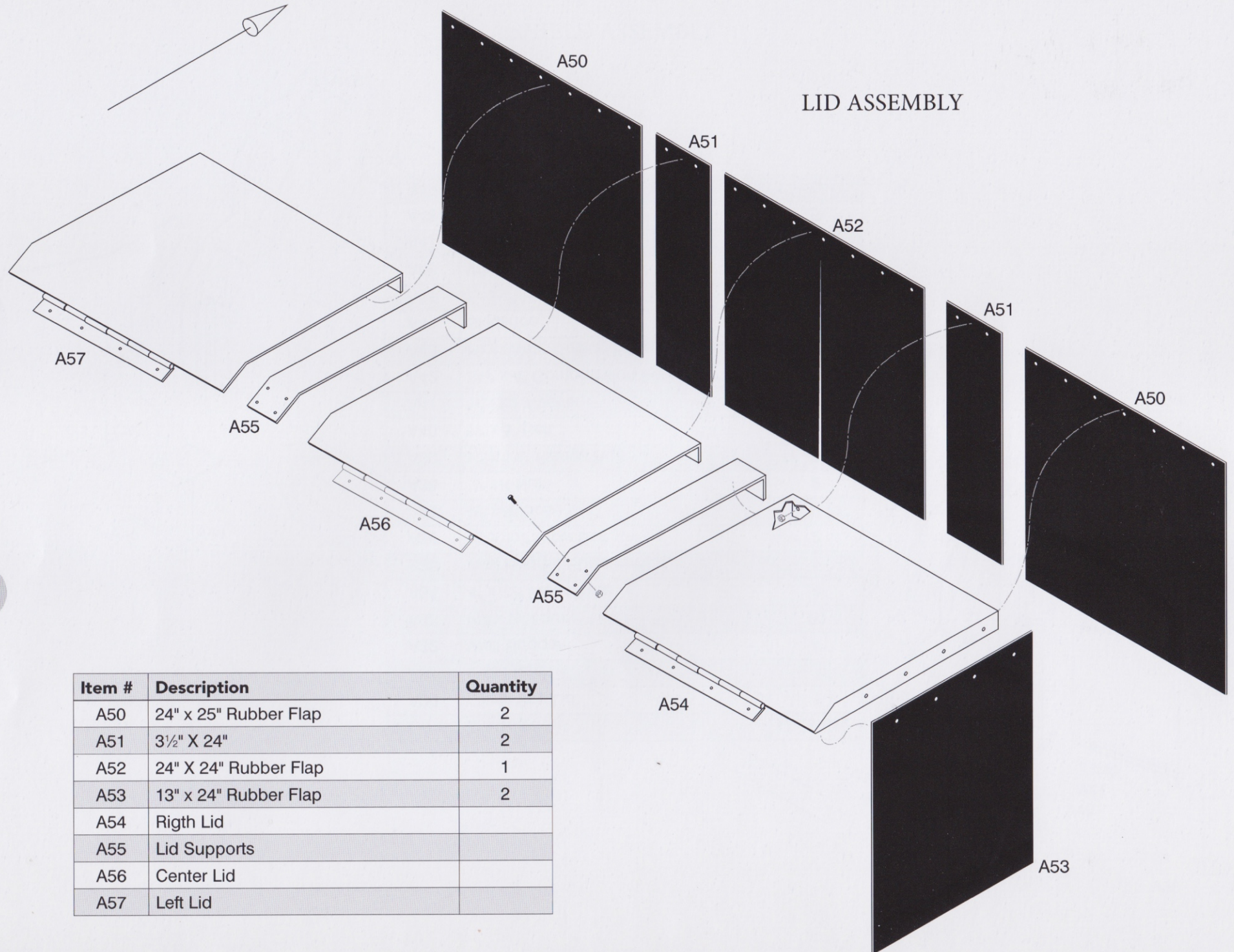
Item #	Description	Quantity
A24	2½" x 8 Tie Rod Cylinder	1
A25	1x3 Cylinder Pin	1
A26	90° Adapter	2
A27	11ft. 3000 PSI Hydraulic Hose	1
A28	10ft. 3000 PSI Hydraulic Hose	1
A29	½ Pioneer Coupler	2

# SHIELD ASSEMBLY



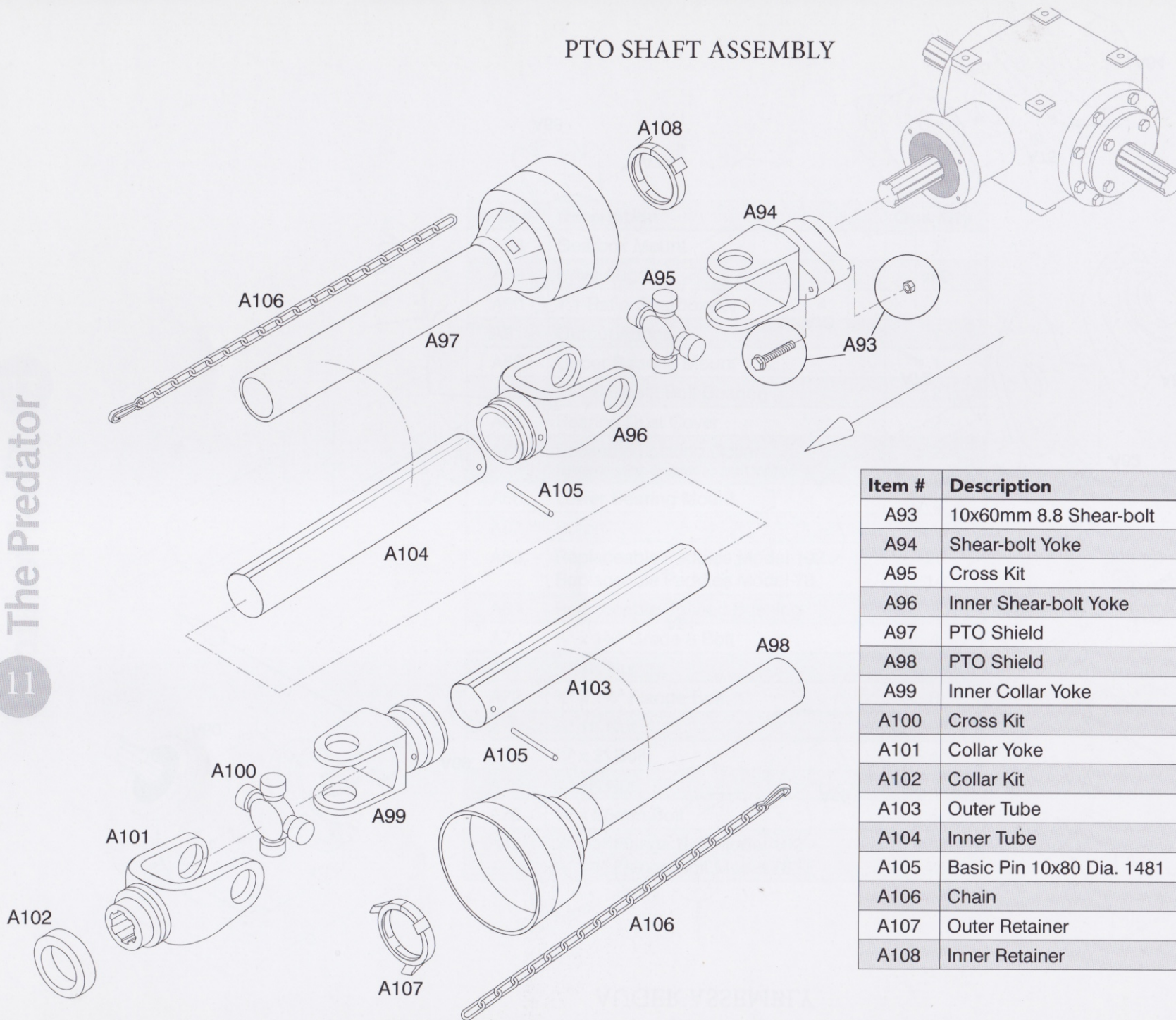


Item #	Description	Quantity
A30	Chain Box Lid	1
A31	End Frame	1
A32	Wall Hugger	1
A33	$\frac{5}{16}$ " x $\frac{1}{2}$ " Flange Bolt	20
A34	4" x 12" Wear Plate	1
A35	Wall Hugger Support Rod	1
A36	$\frac{1}{2}$ " x $1\frac{1}{4}$ " Plow Bolt	2
A37	$\frac{1}{2}$ " x 3" Bolt	2
A38	$\frac{1}{2}$ " 1K Nut	2
A39	$\frac{3}{8}$ " x $1\frac{1}{2}$ " Flange Bolt	3
A40	$\frac{3}{8}$ " x 5" Bolt	2
A41	$\frac{3}{8}$ " Flat Washer	2
A42	$1\frac{5}{16}$ " x 4" Compression Spring	2
A43	High Wear Cutting Edge	1
A44	Skidshoe	2
A45	$\frac{1}{2}$ " x 4" Hitchpin	2
A46	Window Plate	1
A47	Output Upright Brace	1
A48	$\frac{3}{8}$ " x $1\frac{1}{4}$ " Flange Bolt	5
A49	$\frac{3}{8}$ " 1K Nut	5



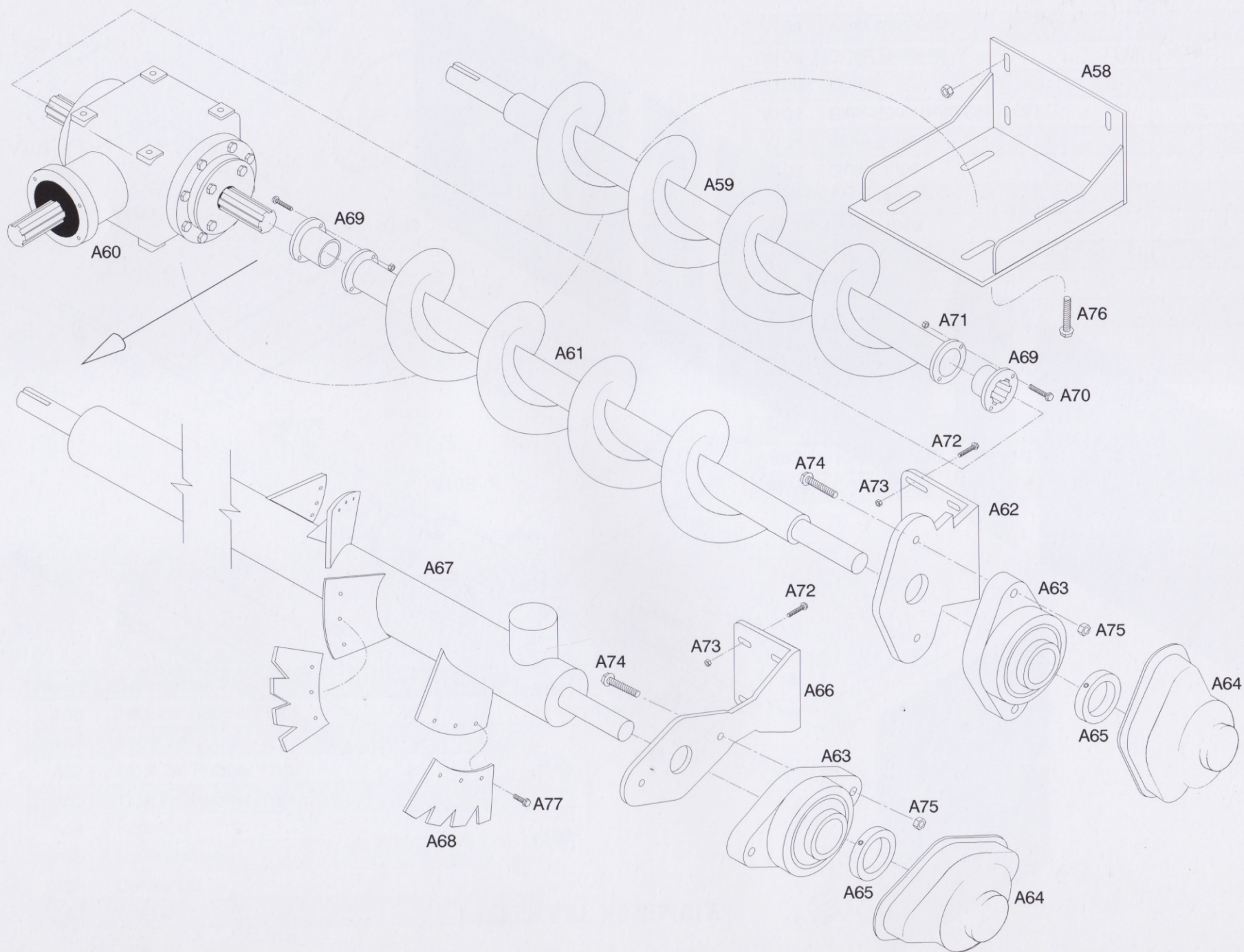
Item #	Description	Quantity
A50	24" x 25" Rubber Flap	2
A51	3½" X 24"	2
A52	24" X 24" Rubber Flap	1
A53	13" x 24" Rubber Flap	2
A54	Rigth Lid	
A55	Lid Supports	
A56	Center Lid	
A57	Left Lid	

PTO SHAFT ASSEMBLY



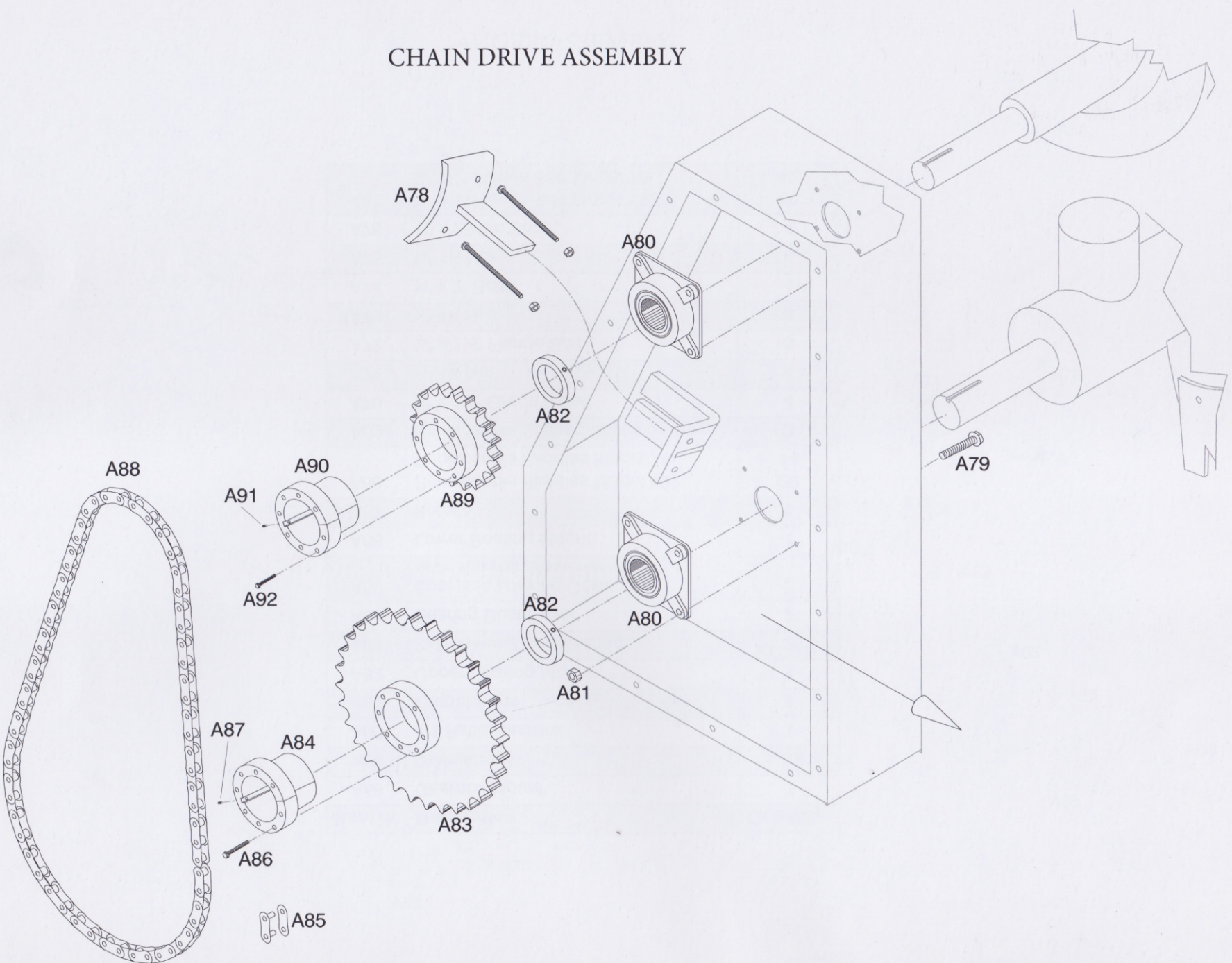
Item #	Description	Quantity
A93	10x60mm 8.8 Shear-bolt	1
A94	Shear-bolt Yoke	1
A95	Cross Kit	1
A96	Inner Shear-bolt Yoke	1
A97	PTO Shield	1
A98	PTO Shield	1
A99	Inner Collar Yoke	1
A100	Cross Kit	2
A101	Collar Yoke	1
A102	Collar Kit	1
A103	Outer Tube	1
A104	Inner Tube	1
A105	Basic Pin 10x80 Dia. 1481	2
A106	Chain	1
A107	Outer Retainer	1
A108	Inner Retainer	1

# AUGER ASSEMBLY

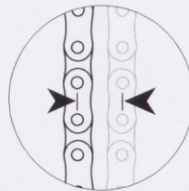


Item #	Description	Quantity
A58	Gearbox Mount	1
A59	Drive Auger	1
A60	1:1 Ratio Gearbox	1
A61	Output Auger	1
A62	Upper Bearing Mount	1
A63	211 Series 2 Bolt Bearing	2
A64	Bearing Dust Cover	2
A65	Eccentric Locking Collar <i>Tighten in same direction as shaft rotation</i>	2
A66	Lower Bearing Mount	1
A67	Rotor	1
A68	Replaceable Paddles Model 102	20
	Replaceable Paddles Model 78	14
A69	Replaceable Splined Bushing	2
A70	$\frac{3}{8}$ " x $1\frac{3}{4}$ " Grade 8 Bolt	4
A71	$\frac{3}{8}$ " 1K Nut	4
A72	$\frac{3}{8}$ " x $1\frac{1}{2}$ " Flange Bolt	8
A73	$\frac{3}{8}$ " 1K Nut	8
A74	$\frac{5}{8}$ " x 2" Bolt	4
A75	$\frac{5}{8}$ " 1K Nut	4
A76	12 x 25mm Bolt	4
A77	$\frac{3}{8}$ " x 1" Flange Bolt Model 102	60
	$\frac{3}{8}$ " x 1" Flange Bolt Model 78	42

# CHAIN DRIVE ASSEMBLY



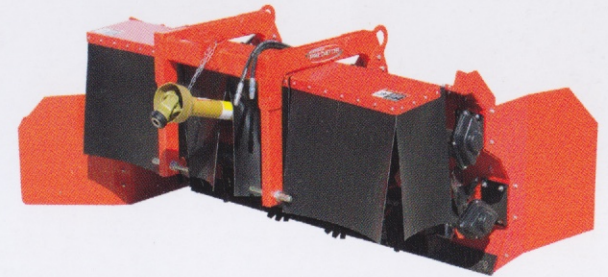
Item #	Description	Quantity
A78	Chain Tightener	1
A79	5/8" x 2 Bolt	8
A80	211 Series 4 Bolt Bearing	2
A81	5/8" 1K Nut	8
A82	Eccentric Locking Collar	2
A83	32 Tooth #80 QD Sprocket	1
A84	2" SF Taper Hub	1
A85	#80 Connector Link	1
A86	3/8" x 1 3/4" Grade 8 Bolts <i>Use a torque wrench to tighten to 30 ft.lbs.</i>	3
A87	5/16" x 3/8" Set Screw	1
A88	55" Long #80 Chain	1
A89	15 Tooth #80 QD Sprocket	1
A90	2" SK Taper Hub	1
A91	5/16" x 3/8" Set Screw	1
A92	5/16" x 1 1/2" Grade 8 Bolt <i>Use a torque wrench to tighten to 15 ft.lbs.</i>	3



*Tighten chain to 1" side-to-side movement*

---

**Quality built equipment  
for quality litter management.**



1751 Mill Road • East Earl, PA 17519  
717-445-4922



**Harris-Crisp** 919-496-0608  
Specialty Equipment

Call for Parts  
or Service

